

**RfLink Antenna RF 433MHz**

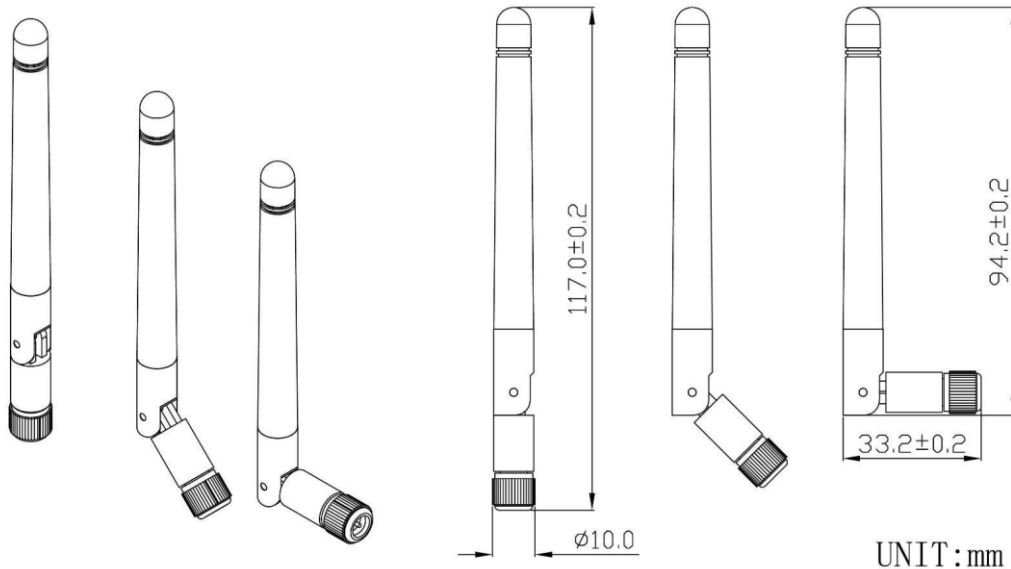


Κεραία RF 433MHz σπαστή ,  
με τερματικό κονέκτορα SMA αρσενικό .



**10.004.14.05.22**

Dimension ( Unit : mm )



### Electrical Characteristics

Item	Specifications	
Antenna	Frequency Range	433MHz
	Band Width	CF±5MHz
	Polarization	Linear
	Gain	2dBi ( Zenith )
	V.S.W.R ( min )	< 2.5
	Impedance	50Ω
	Connector	SMA Male
Environmental	Operating Temperature	-40°C~+85°C
	Vibration	10 to 55Hz with 1.5mm amplitude 2hours
	Environmentally Friendly	ROHS Compliant

### Radiation Pattern

